

Illuminated Sign

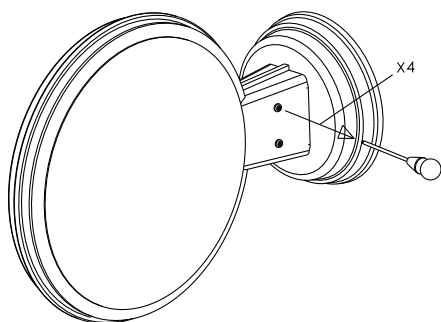
Installation Instructions



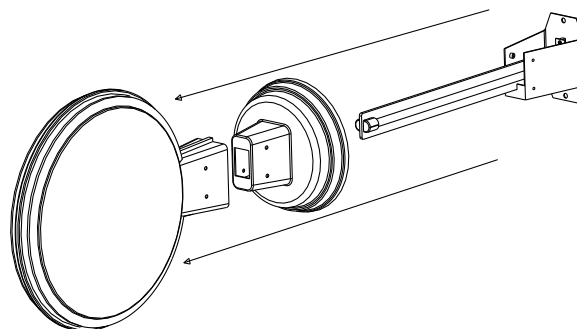
NewsLite Diagram
Example shows
standard newslite



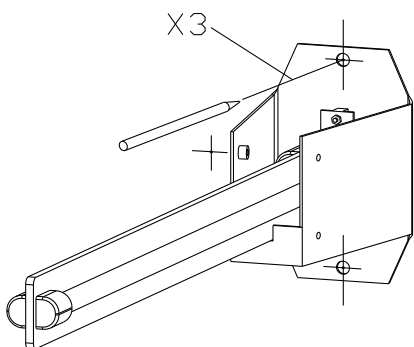
1. Remove the 4 screws from bracket cover.



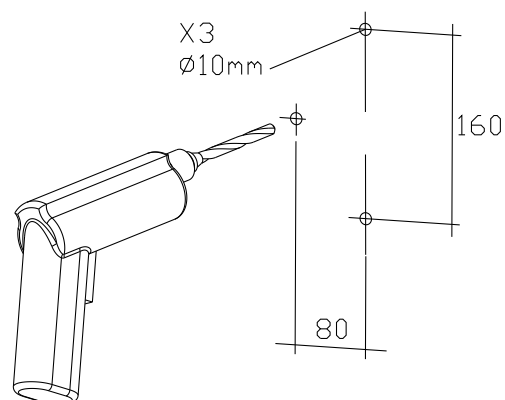
2. Carefully slide off sign and bracket.



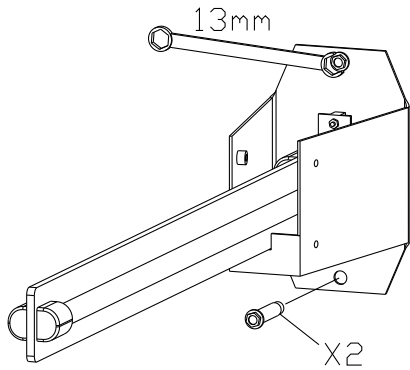
3. Use bracket to mark fixing holes.
Mark a third hole for power cable.
Check for upright with level.



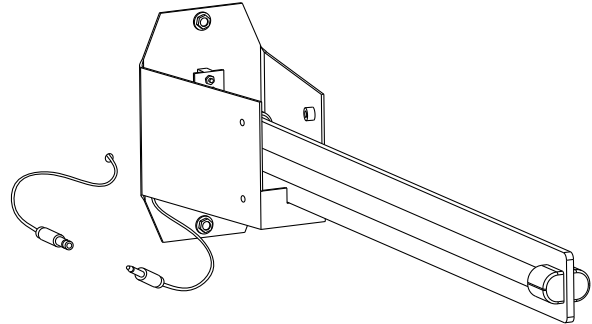
4. Drill 3 holes. Bracket holes must be 50mm deep
minimum. Power cable hole right through wall.



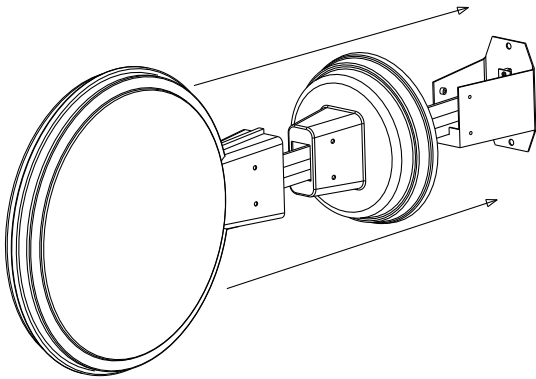
5. Insert anchor bolts into bracket holes and wall holes. Tap in up to nut shoulder and tighten.



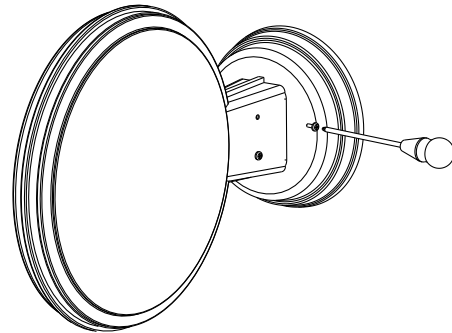
6. Feed power cable through hole and plug into socket fitted to light. Make sure that transformer and 240V cable remain **INSIDE** the building.



7. Carefully slide bracket cover and sign onto light fitting.



8. Re-fit cover screws. Plug 3 pin plug into 240v mains socket inside premises. Switch on.



Warning

WARNING!!! MAKE SURE YOU DO NOT DRILL WHERE THERE MIGHT BE ELECTRIC, GAS OR WATER PIPES.

Ri MANUFACTURING ACCEPT NO RESPONSIBILITY FOR ANY DAMAGE CAUSED TO PERSONS OR PROPERTY DURING INSTALLATION OF THE CABINET.
