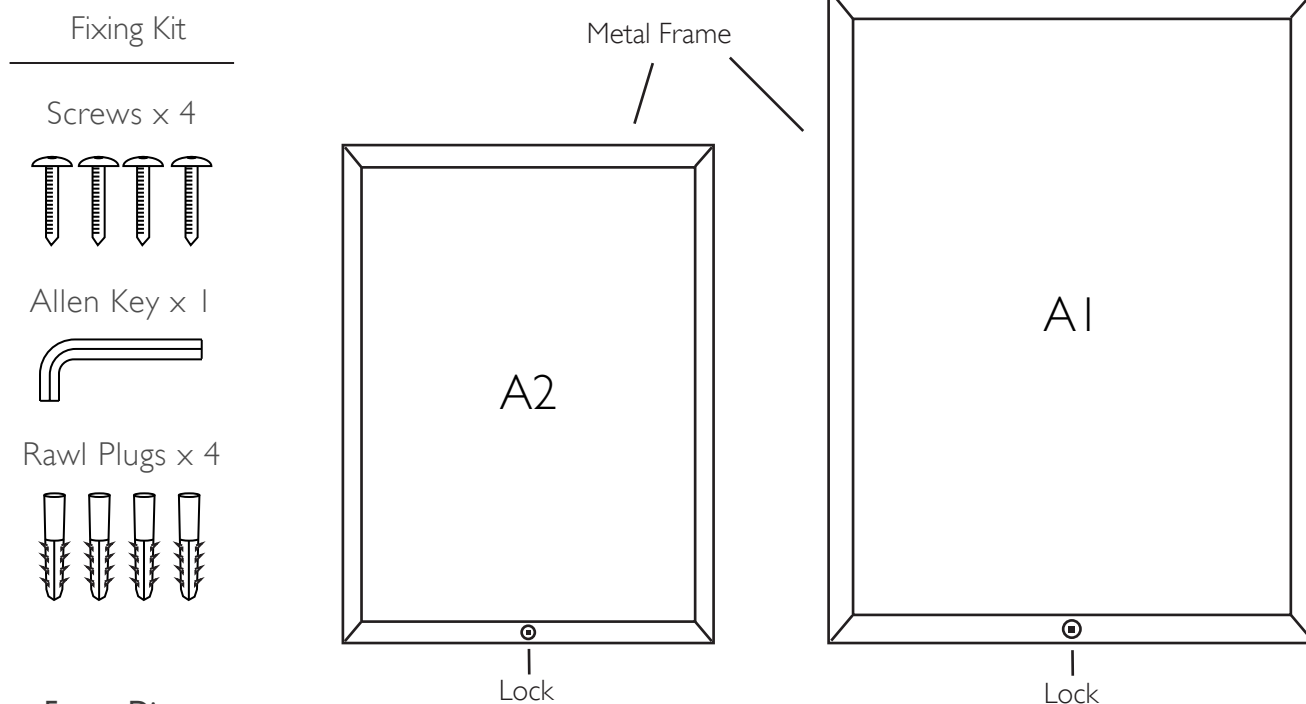


Poster Frame

Installation Instructions



Poster Frame Diagram

Example shows an A1, A2 & fixing kit

Assembly

1. Lay the poster frame face-up and unlock using allen key.
2. Open the longer sides of the frame until it 'pops' into the open position, followed by the top and bottom.
3. Lift the anti-reflex cover sheet using the label written 'PULL'.
4. Four screw holes are located on the inside of the frame. Use these predrilled holes to mark fixing positions on the wall.
5. Drill 4 holes, minimum 50mm deep and place the rawl plugs into the holes.
6. Using 4 screws supplied, insert through frame holes into wall holes and tighten with screw driver.
7. With the frame securely fixed in position, insert the poster. Slide the poster into position and fit the anti-reflex cover sheet.
8. Close the top, sides, then bottom frame shut to hold the poster.
9. Re-lock using the allen key.

Note - If fixing to slightly uneven surfaces such as brick, be careful not to overtighten the screws and distort the frame.

Ri Manufacturing take no responsibility for your local authority permitting you to display the unit.

Ri Manufacturing Ltd Chapelbarn Yard, Wylve, Wiltshire BA12 0QQ **Technical Support:** 01985 248 454
Email: hello@rimanufacturing.com **Web:** www.rimanufacturing.com